

#### Description

These compact, stylish, and economical room temperature sensors are designed to use with SimplyVAV controllers. They install easily without programming or configuration.

- ◆ The durable, low-profile, thermostat-style cover is visually appealing.
- ◆ Easy connections with standard Ethernet patch cable.
- ◆ Surface mounts on a hollow wall or on a standard electrical box with the appropriate backplate.



#### Model descriptions

The following SimplyVAV STE-6000 series models are available:

##### STE-6010W80

A simple, temperature sensor only.

##### STE-6014W80

A temperature sensor with a rotary dial for adjusting the room setpoint.

##### STE-6017W80

In addition to the temperature sensor and rotary dial, this model features an push button for overriding temperature setback.

#### Specifications

<b>Connections</b>	RJ-45 jack
<b>Material</b>	Flame-retardant white plastic
<b>Weight</b>	Approx. 1.25 oz. (35 grams)
<b>Sensor</b>	
Type	Type II thermistor
Accuracy	± 0.36° F (± 0.20° C)
Resistance	10,000 ohms at 77° F (25° C)
NTC	4.37%/° C @ 25° C
Dissipation Constant	2 mW/° C

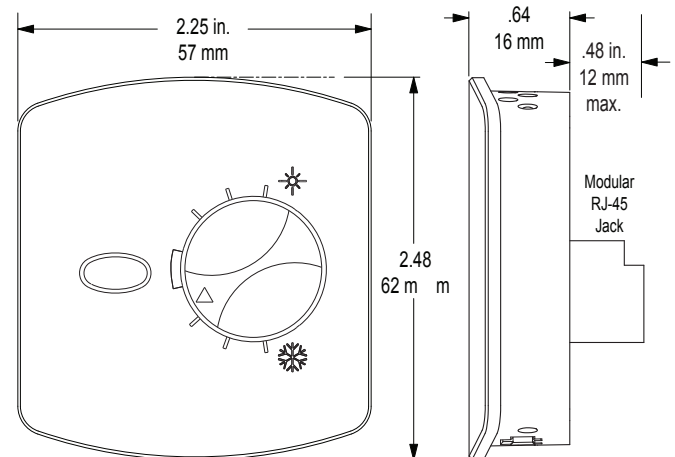
**Rotary Setpoint Pot.** 0–10K ohms ±20%  
(54–90° F or 12–32° C) linear

#### Approvals

CE compliant

#### Environmental Limits

Operating	34 to 125° F (1.1 to 51.6° C)
Shipping	–40 to 140° F (–40 to 60° C)
Humidity	0 to 95% RH non-condensing



#### Accessories

HMO-6036W80

Universal Backplate, White

## Sensor selection guide

See the data sheet for SimplyVAV digital sensors for detail on the STE-8000 series models.

Model	Temperature sensor	Setpoint dial	Override button	Setpoint buttons	Motion sensor	Digital display	Configuration tool	Balancing tool
STE-8001W80	◆			◆		◆	◆	◆
STE-8201W80	◆			◆	◆	◆	◆	◆
STE-6010W80	◆							
STE-6014W80	◆	◆						
STE-6017W80	◆	◆	◆					

## Ordering information

Model description	Model number
Discrete temperature sensor with RJ-45 connector	STE-6010W80
Discrete Temperature sensor with rotary setpoint dial, RJ-45 connector	STE-6010W80
Discrete temperature sensor with rotary setpoint dial, override button, RJ-45 connector	STE-6010W80

**KMC Controls, Inc.**  
 19476 Industrial Drive, New Paris, IN 46553  
 574.831.5250  
[www.kmccontrols.com](http://www.kmccontrols.com) [info@kmccontrols.com](mailto:info@kmccontrols.com)